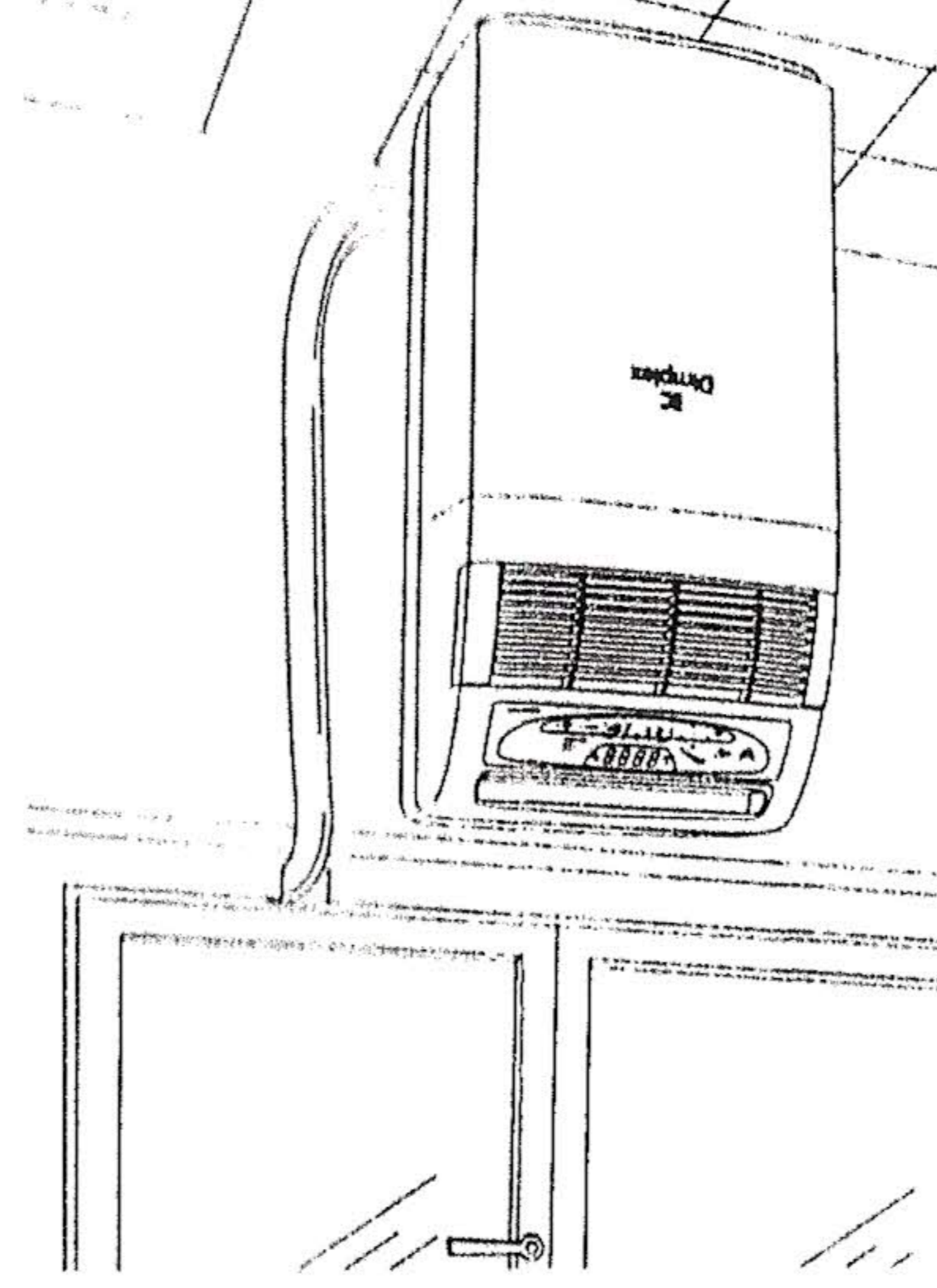
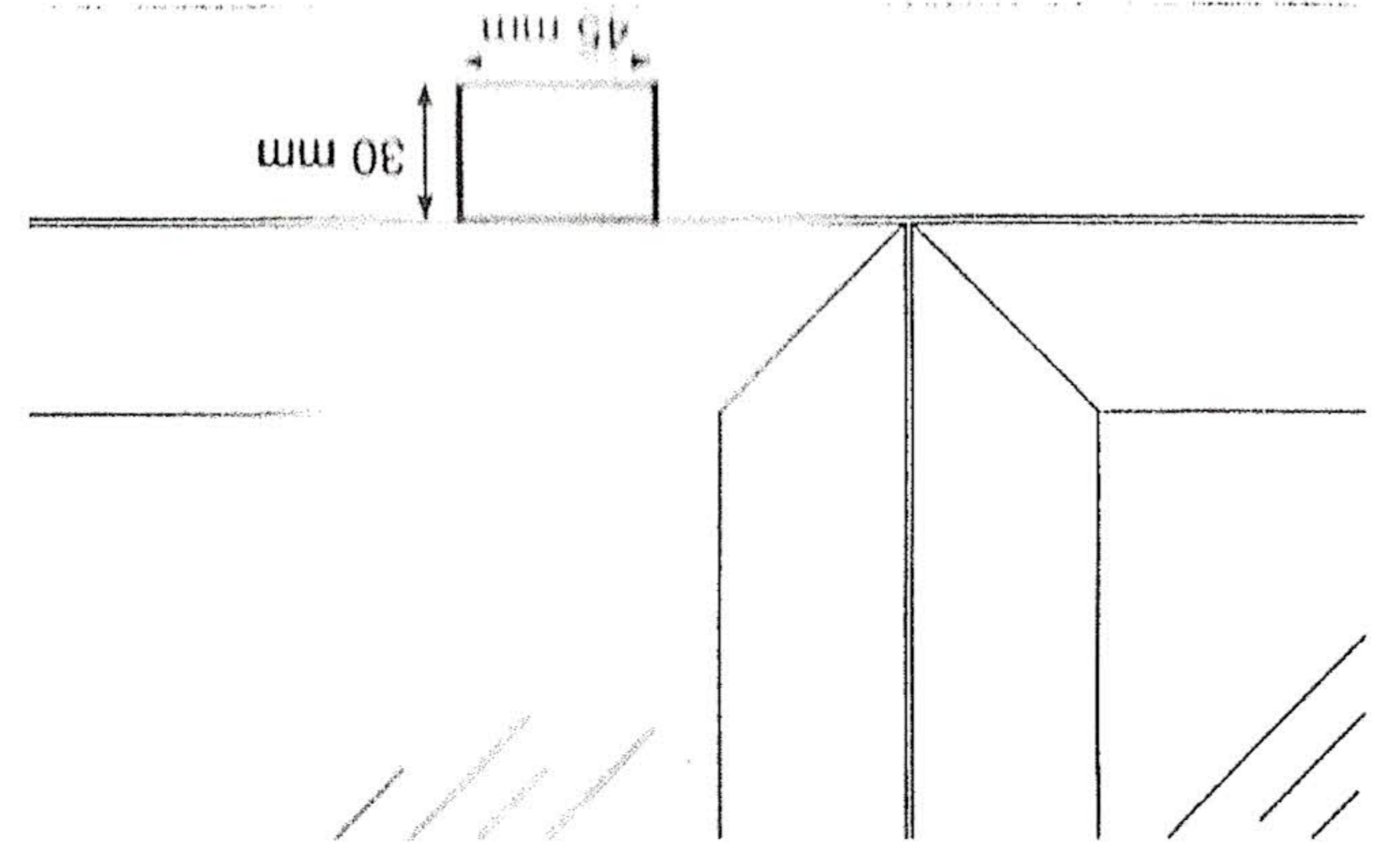


INSTALLING THE APPLIANCE

...through a slit in the window or round a door left ajar...

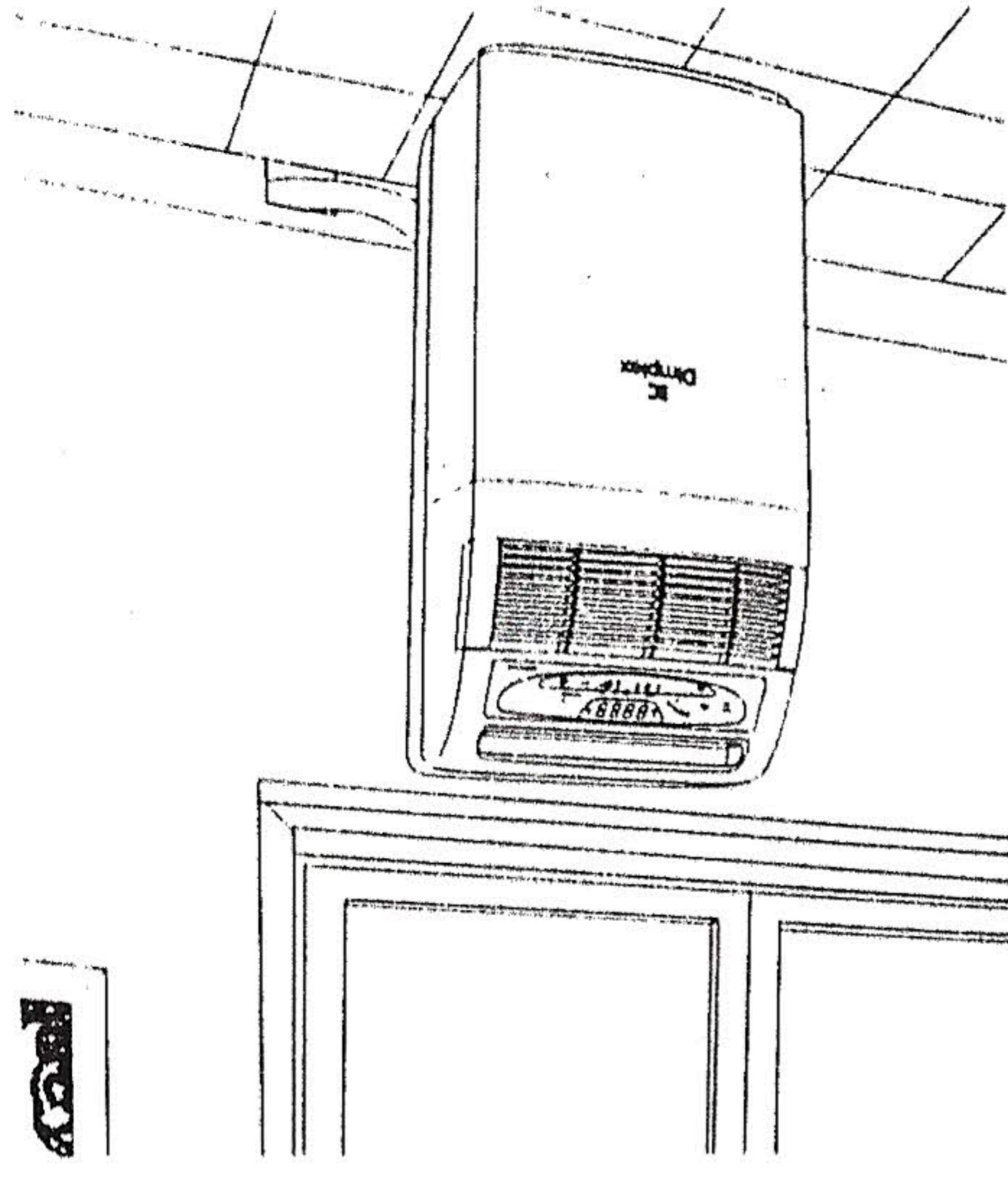


...or through a vent measuring 4,5x3 cm, made at the bottom of the door or in the window frame.



... or through a hole made in the wall (when unit is installed in a fixed position).

In this case, the outdoor unit must be disconnected, by means of the quick couplings and then reconnected once the connection hose has been inserted through the hole.



DISCONNECTING THE HOSE

If the unit is installed in a fixed position, the connection hose can be disconnected from the indoor unit.

The following are found inside the hose:

- electric power cable
- condensate drainage hose
- two tubes containing cooling fluid.

INSTALLING THE APPLIANCE

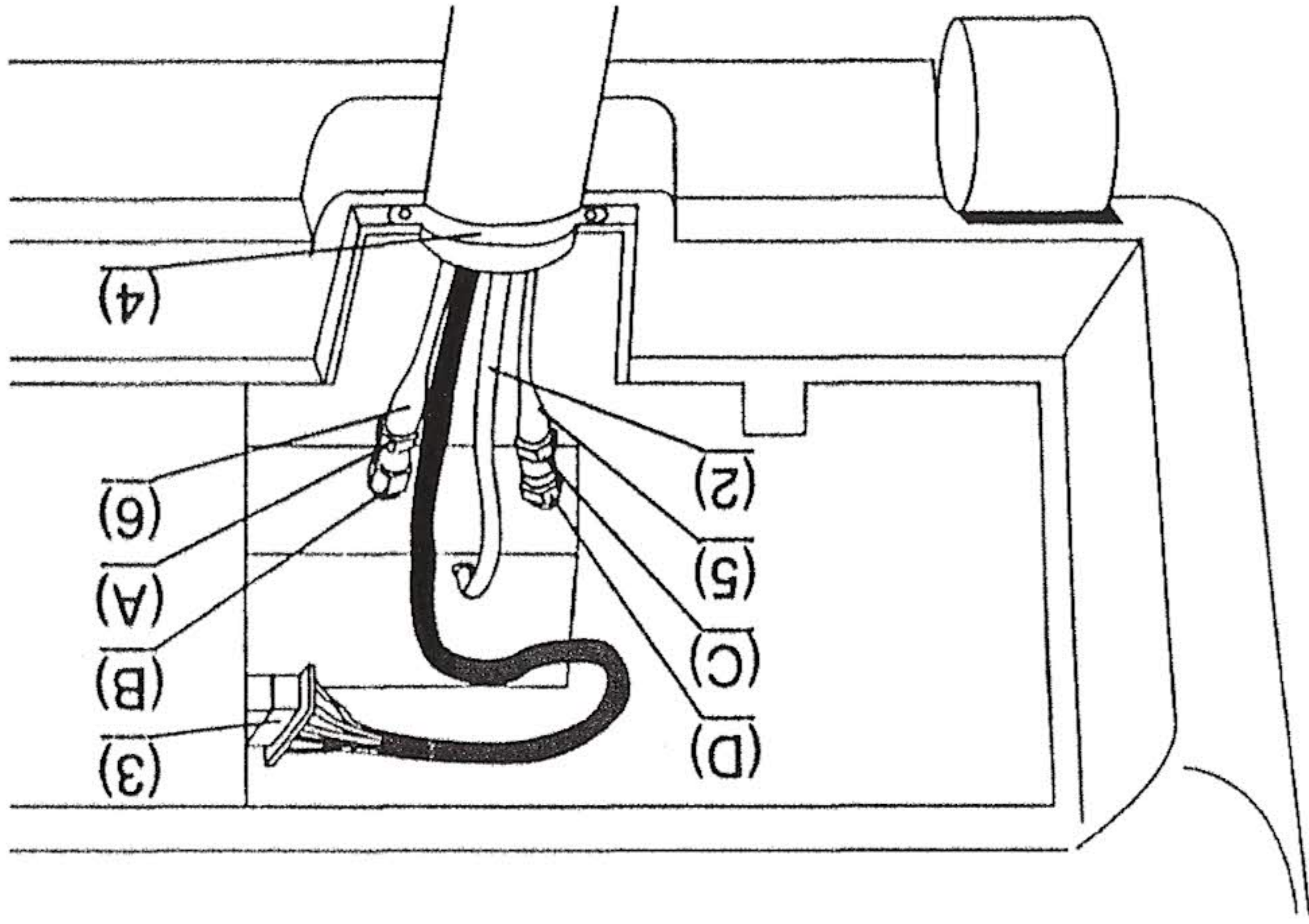
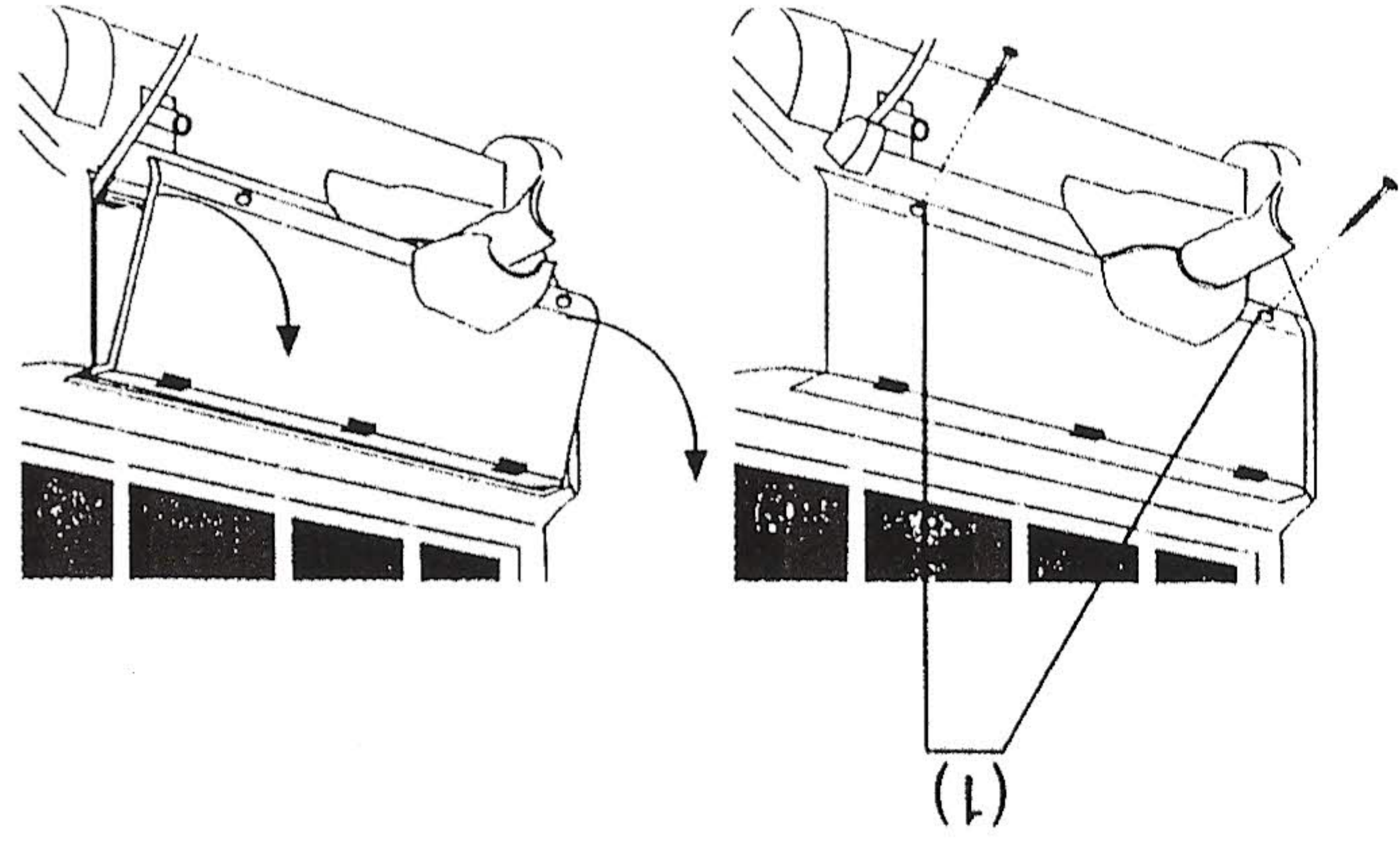
ATTENTION!
The two quick couplings on the connection hose must be kept perfectly clean. When they are passed through an opening, they must be protected in order to prevent dirt from compromising the seal and thereby causing cooling fluid to leak.

If the unit has been in use, always turn it off for at least 20 minutes before disconnecting the quick couplings.

Always unplug the unit before disconnecting the connection hose. The unit could be accidentally switched on and thereby risk your safety as well as causing irreparable damage to the unit. It is advisable to consult either your local retailer, Dimplex State Office or a qualified installation technician to carry out this operation.

A - Disconnecting hose

- Remove the two securing screws (1) from the back panel and pull it away as shown in the drawing.

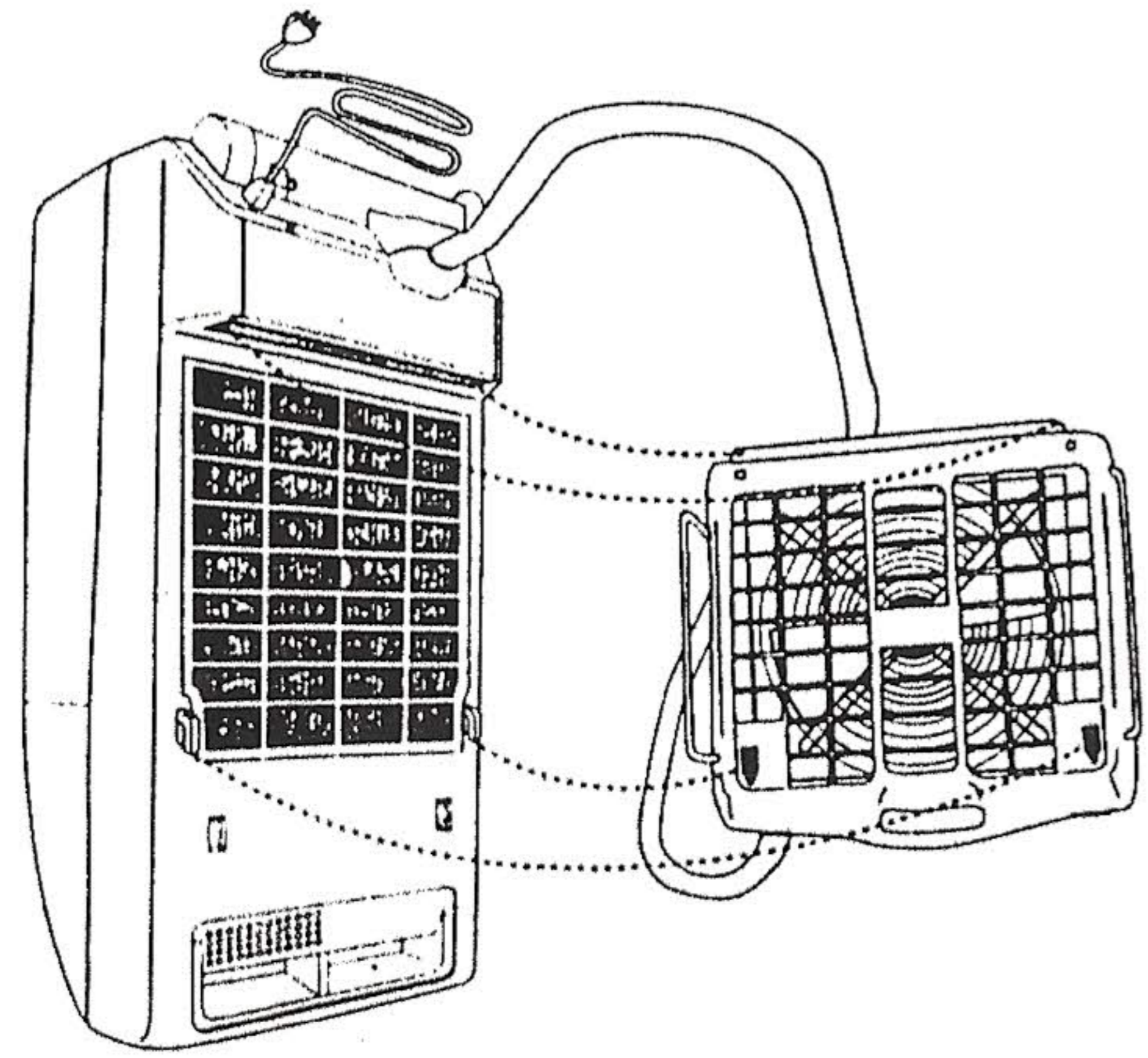


- Disconnect the condensate drainage hose (2), pulling it outward.

Before carrying out this operation, drain away any condensate that has accumulated in the collection tub, through the plug 11 (Fig. 1).

- Disconnect the electrical connector, pushing in the two external tangs (3).
- Detach the metal hose fastening bracket at the base of the unit (4), removing the two screws.
- Unscrew the two quick couplings (5) and (6), as described below. While separating the couplings, make sure that as they are unscrewed they are not tilted, thereby causing cooling fluid to leak out.
- Left coupling (5)

Using a 19 mm. spanner, keep the fixed part of the female coupling (C) secure and with a 24 mm. spanner, turn the moving part on the same coupling (D) in an anti-clockwise direction until it comes away completely



When moving the two units, they can be connected to each other as shown in the drawing below.

MOVING THE UNITS

- Insert the electric connector (3), making sure that the tangs on the sides fit correctly into the notches on the fixed part of the unit.
- Refit the water drainage hose (2).
- Replace the back panel, securing it in place with the two screws (1).

The fastening bracket must be fitted over the external sheath of the hose.

- Fit the hose onto the base of the unit, using the metal bracket (4) provided and tightening the two screws.

- Left coupling (5)
Fit the female part of the coupling onto the male part, turning the moving part manually in a clockwise direction.
Complete the operation, using the 19 mm spanner to block the fixed part (C) and the 24 mm spanner to turn the moving part (D) in a clockwise direction until it is completely tight.

While tightening the couplings, always make sure that they are perfectly lined up with each other.

- Right coupling (6)
Fit the male part of the coupling into the female part, turning the moving part manually in an anti-clockwise direction.
Complete the operation, using the 21 mm spanner to block the fixed part (C) and the 24 mm spanner to turn the moving part (D) in an anti-clockwise direction until it is completely tight.

Make sure that the hose is not twisted before connecting to the indoor unit.

B. Reconnecting hose

- Right coupling (6)
Using a 21 mm. spanner, keep the male coupling (A) secure and with a 24 mm. spanner and turn the moving part on the female coupling (B) in a clockwise direction until the two parts are completely separated.