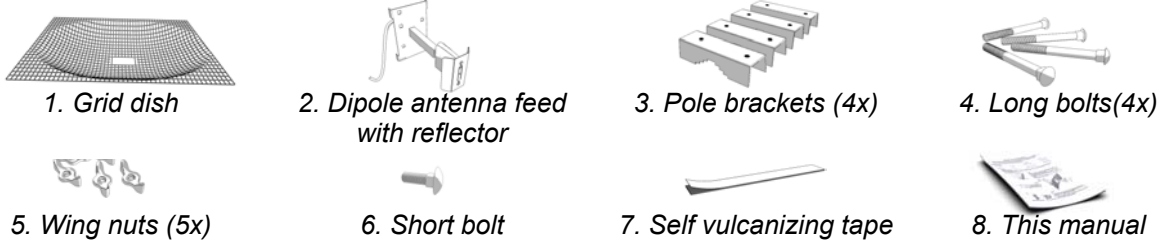


Instruction manual grid dish

By purchasing this antenna you've got a reliable amplifier for your sender/receiver setup. Without any generating any noise this antenna amplifies for receiving as for sending. For transportation purpose this antenna will be supplied in several parts. For assembling no tools are needed.

The antenna consists out of the following parts:



Preparation

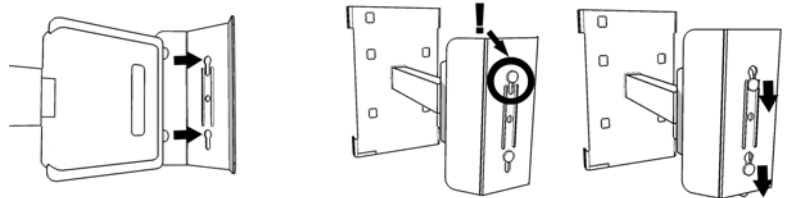
Before you start assembling the antenna it's advisable to attach the cable to the antenna first. Now it's easy to protect the connection with self vulcanizing tape. This is very important for the long life span of the antenna setup.

Assembling the antenna.

Step 1.

Attach the front reflector to the antenna feed.

! Be aware, don't damage the plastic stubs on the antenna feed.



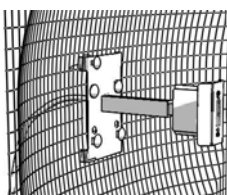
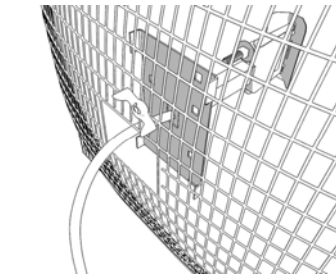
A. Press the metal reflector on the head of the feed.

B. Move the metal reflector, to lock it on the feed.

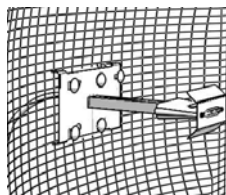
Step 2.

Attach the dipole to the grid reflector using short bolt and a wing nut to lock the dipole tight.

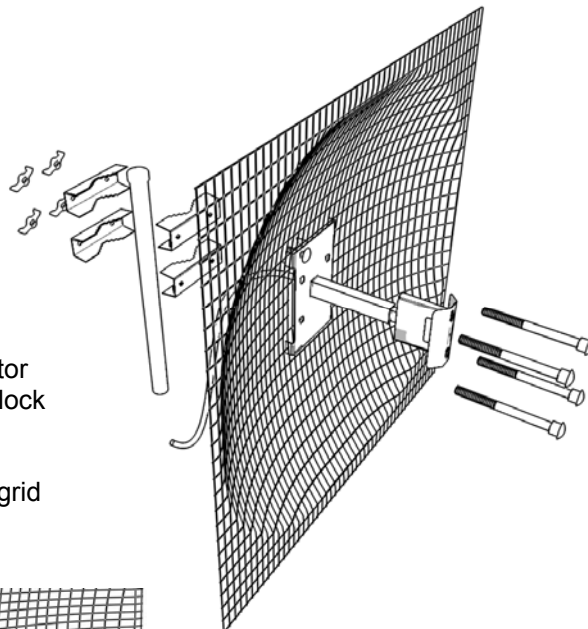
Make sure that you put the cable through the big centre hole in the grid reflector first.



Vertical polarized



Horizontal polarized



Step 3.

Use the 4 long bolts, wing nuts and brackets to install the antenna to a tube or pole.

Choose horizontal or vertical polarisation by rotating the antenna 90 degrees.

! important, antenna's on both side's of a radio connection must be equally polarized.

The antenna can be polarize horizontal or vertical. Polarization can easily be set by installing the antenna in a horizontal or a vertical position.