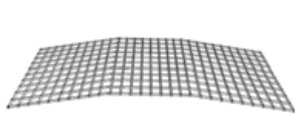


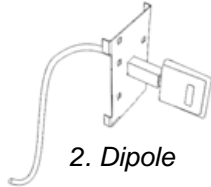
Instruction manual grid antenna

By purchasing this antenna you've got a reliable amplifier for your sender/receiver setup. Without any generating any noise this antenna amplifies for receiving as for sending. For transportation purpose this antenna will be supplied in several parts. For assembling no tools are needed.

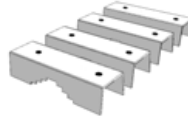
The antenna consists out of the following parts:



1. Grid reflector



2. Dipole



3. Pole brackets (4x)



4. Long bolts(4x)



5. Wing nuts (5x)



6. Short bolt



7. Self vulcanizing tape

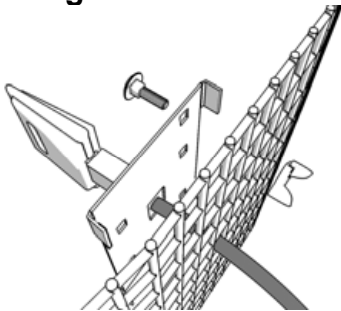


8. This manual

Preparation

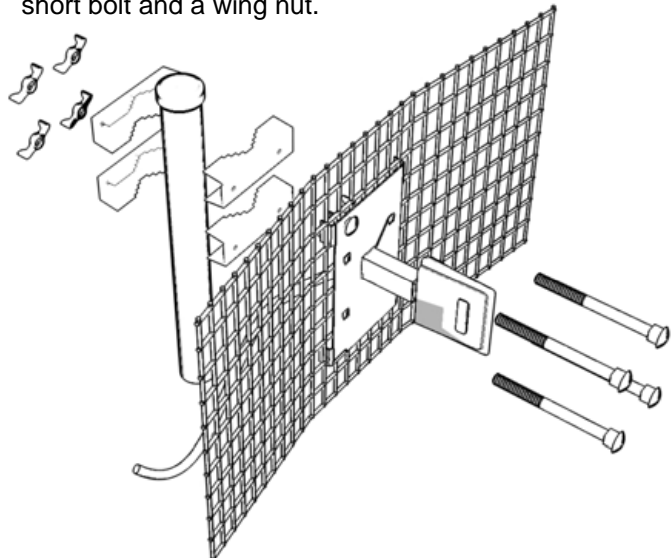
Before you start assembling the antenna it's advisable to attach the cable to the antenna first. Now it's easy to protect the connection with self vulcanizing tape (7). This is very important for the long life span of the antenna set up.

Assembling the antenna



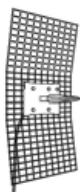
Step 1

Attach the white feed element (dipole) to the grid reflector. Make sure that the cable leads through the hole in the middle of the grid reflector. The bended corners of the dipole back plate should be positioned exactly around the metal wires of the grid reflector. The back plate is locked to the grid reflector with the short bolt and a wing nut.

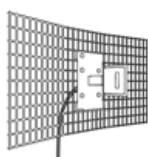


Step 2

Put the 4 long bolts through the holes in the assembly plate. Mount the antenna with the bolts and brackets to a tube or pole.



Horizontal polarized



Vertical polarized

! important, antenna's on both side's of a radio connection must be equally polarized.

The antenna can be polarize horizontal or vertical. Polarization can easily be set by installing the antenna in a horizontal or a vertical position.