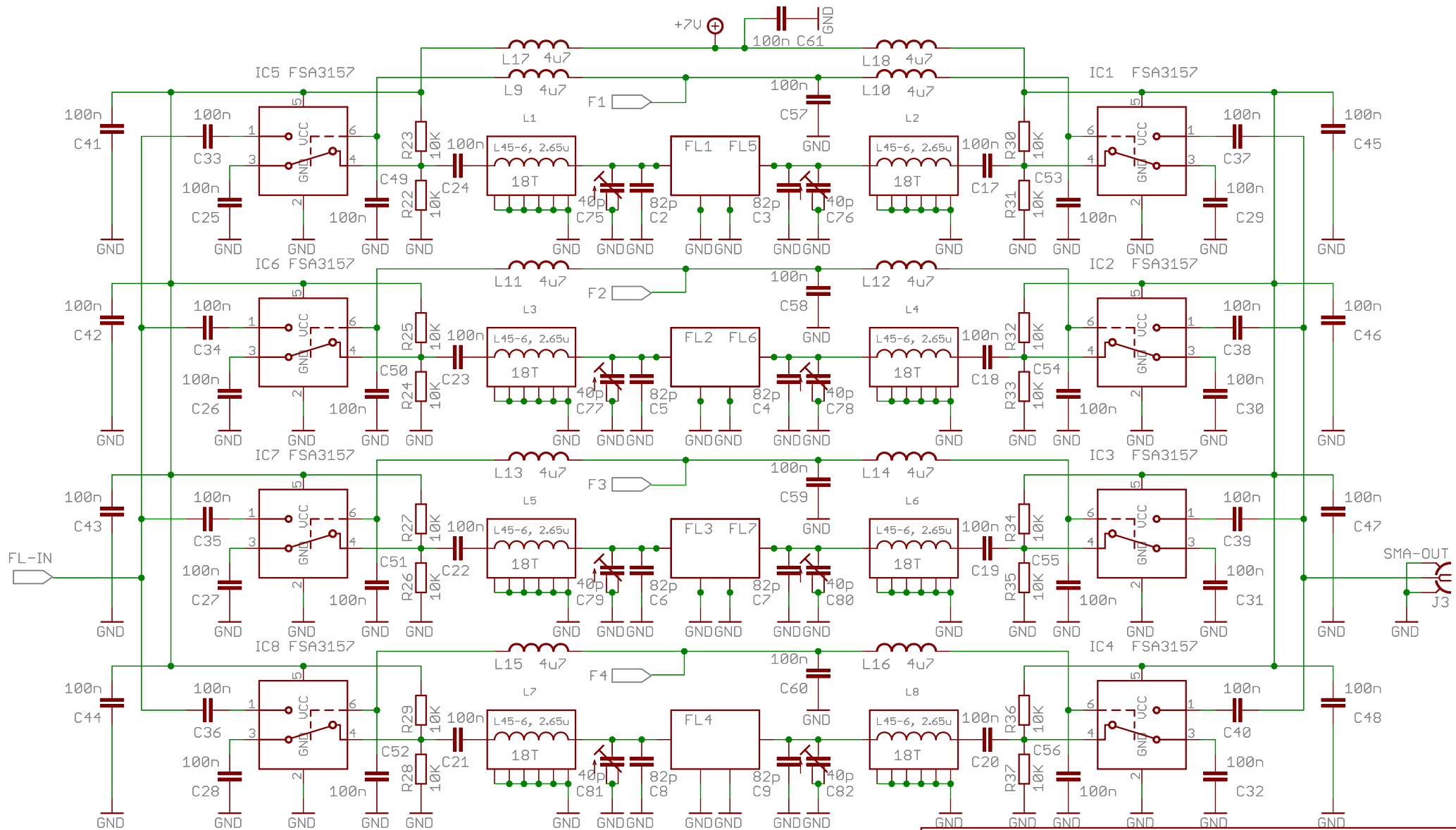
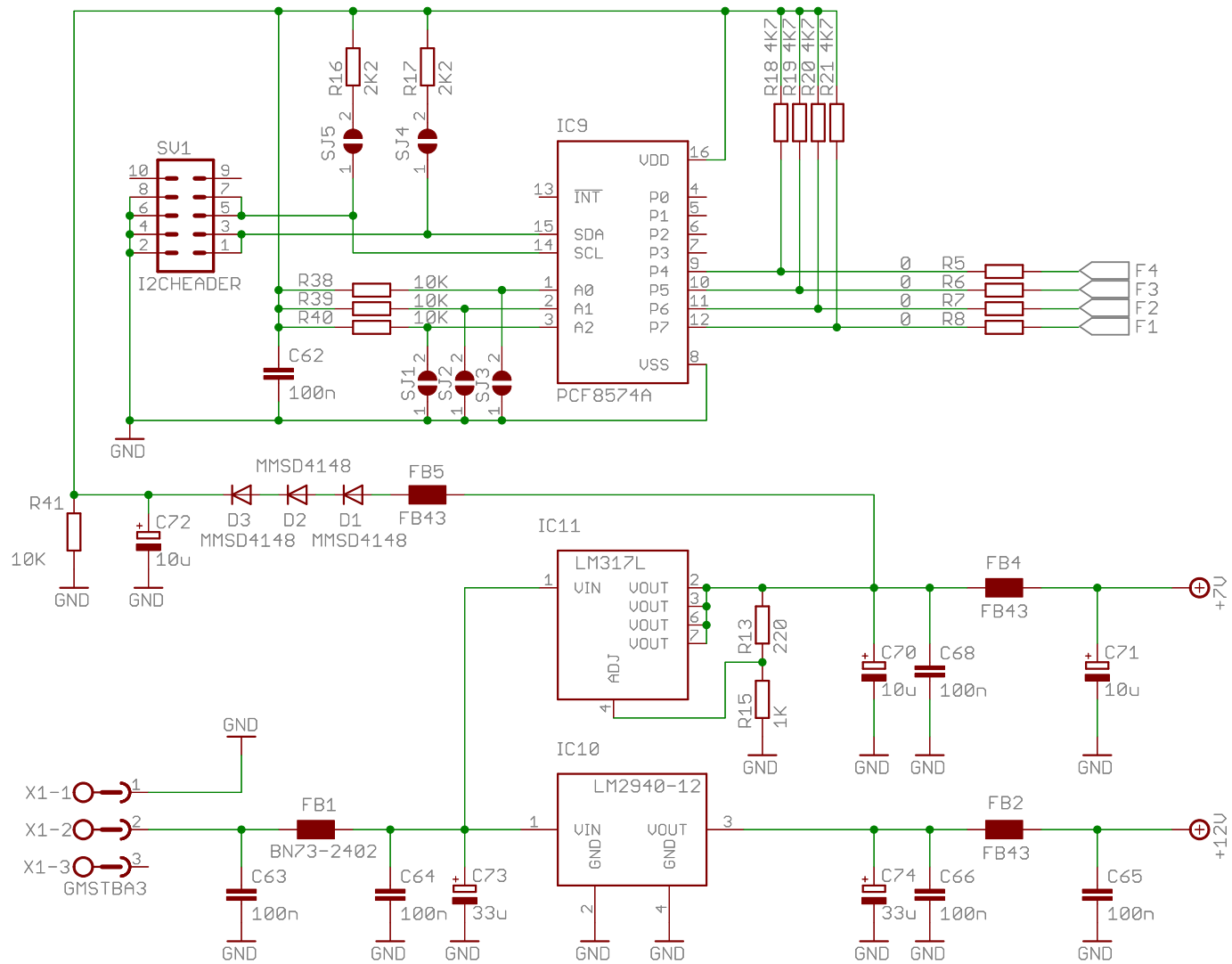


Author: PA3AKE		Pre-Amplifier	
TITLE: SelectivityBoard			
Document Number:			REV: A
Date: 9-9-2011 21:29:49			Sheet: 1/3



Author: PA3AKE		Filter Switching	
TITLE: SelectivityBoard			
Document Number:			REV: A
Date: 9-9-2011 21:29:49			Sheet: 2/3



Author: PA3AKE I2C control and PSU's

TITLE: SelectivityBoard

Document Number:

REV:
A

Date: 9-9-2011 21:29:49

Sheet: 3/3

Selectivity Board Rev-A Partlist

Part	Value	Package	Description
-----Resistors-----			
R1	0	1206	(Generic Thick Film resistor)
R2	0	1206	(Generic Thick Film resistor)
R3	0	1206	(Generic Thick Film resistor)
R4	0	1206	(Generic Thick Film resistor)
R5	0	1206	(Generic Thick Film resistor)
R6	0	1206	(Generic Thick Film resistor)
R7	0	1206	(Generic Thick Film resistor)
R8	0	1206	(Generic Thick Film resistor)
R9	33	1206	(Generic Thick Film resistor)
R10	33	1206	(Generic Thick Film resistor)
R11	33	1206	(Generic Thick Film resistor)
R12	33	1206	(Generic Thick Film resistor)
R13	220	1206	(Generic Thick Film resistor)
R14	240	1206	(Generic Thick Film resistor)
R15	1K	1206	(Generic Thick Film resistor)
R16	2K2	1206	(Generic Thick Film resistor)
R17	2K2	1206	(Generic Thick Film resistor)
R18	4K7	1206	(Generic Thick Film resistor)
R19	4K7	1206	(Generic Thick Film resistor)
R20	4K7	1206	(Generic Thick Film resistor)
R21	4K7	1206	(Generic Thick Film resistor)
R22	10K	1206	(Generic Thick Film resistor)
R23	10K	1206	(Generic Thick Film resistor)
R24	10K	1206	(Generic Thick Film resistor)
R25	10K	1206	(Generic Thick Film resistor)
R26	10K	1206	(Generic Thick Film resistor)
R27	10K	1206	(Generic Thick Film resistor)
R28	10K	1206	(Generic Thick Film resistor)
R29	10K	1206	(Generic Thick Film resistor)
R30	10K	1206	(Generic Thick Film resistor)
R31	10K	1206	(Generic Thick Film resistor)
R32	10K	1206	(Generic Thick Film resistor)
R33	10K	1206	(Generic Thick Film resistor)
R34	10K	1206	(Generic Thick Film resistor)
R35	10K	1206	(Generic Thick Film resistor)
R36	10K	1206	(Generic Thick Film resistor)
R37	10K	1206	(Generic Thick Film resistor)
R38	10K	1206	(Generic Thick Film resistor)
R39	10K	1206	(Generic Thick Film resistor)
R40	10K	1206	(Generic Thick Film resistor)
R41	10K	1206	(Generic Thick Film resistor)

```

-Inductors-----
L1      2.65u      LODESTONE-L45-6      (18 turns 0.3mm enameled copper)
L2      2.65u      LODESTONE-L45-6      (18 turns 0.3mm enameled copper)
L3      2.65u      LODESTONE-L45-6      (18 turns 0.3mm enameled copper)
L4      2.65u      LODESTONE-L45-6      (18 turns 0.3mm enameled copper)
L5      2.65u      LODESTONE-L45-6      (18 turns 0.3mm enameled copper)
L6      2.65u      LODESTONE-L45-6      (18 turns 0.3mm enameled copper)
L7      2.65u      LODESTONE-L45-6      (18 turns 0.3mm enameled copper)
L8      2.65u      LODESTONE-L45-6      (18 turns 0.3mm enameled copper)
L9      4u7         1210                  (Self resonance > 50MHz)
L10     4u7         1210                  (Self resonance > 50MHz)
L11     4u7         1210                  (Self resonance > 50MHz)
L12     4u7         1210                  (Self resonance > 50MHz)
L13     4u7         1210                  (Self resonance > 50MHz)
L14     4u7         1210                  (Self resonance > 50MHz)
L15     4u7         1210                  (Self resonance > 50MHz)
L16     4u7         1210                  (Self resonance > 50MHz)
L17     4u7         1210                  (Self resonance > 50MHz)
L18     4u7         1210                  (Self resonance > 50MHz)

```

```

-Capacitors-----
C1      33p         1206                  (Generic C0G,NP0 MLCC)
C2      82p         1206                  (Generic C0G,NP0 MLCC)
C3      82p         1206                  (Generic C0G,NP0 MLCC)
C4      82p         1206                  (Generic C0G,NP0 MLCC)
C5      82p         1206                  (Generic C0G,NP0 MLCC)
C6      82p         1206                  (Generic C0G,NP0 MLCC)
C7      82p         1206                  (Generic C0G,NP0 MLCC)
C8      82p         1206                  (Generic C0G,NP0 MLCC)
C9      82p         1206                  (Generic C0G,NP0 MLCC)
C10     100n        1206                  (Generic X7R MLCC)
C11     100n        1206                  (Generic X7R MLCC)
C12     100n        1206                  (Generic X7R MLCC)
C13     100n        1206                  (Generic X7R MLCC)
C14     100n        1206                  (Generic X7R MLCC)
C15     100n        1206                  (Generic X7R MLCC)
C16     100n        1206                  (Generic X7R MLCC)
C17     100n        1206                  (Generic X7R MLCC)
C18     100n        1206                  (Generic X7R MLCC)
C19     100n        1206                  (Generic X7R MLCC)
C20     100n        1206                  (Generic X7R MLCC)
C21     100n        1206                  (Generic X7R MLCC)
C22     100n        1206                  (Generic X7R MLCC)
C23     100n        1206                  (Generic X7R MLCC)
C24     100n        1206                  (Generic X7R MLCC)
C25     100n        1206                  (Generic X7R MLCC)

```

C26	100n	1206	(Generic X7R MLCC)
C27	100n	1206	(Generic X7R MLCC)
C28	100n	1206	(Generic X7R MLCC)
C29	100n	1206	(Generic X7R MLCC)
C30	100n	1206	(Generic X7R MLCC)
C31	100n	1206	(Generic X7R MLCC)
C32	100n	1206	(Generic X7R MLCC)
C33	100n	1206	(Generic X7R MLCC)
C34	100n	1206	(Generic X7R MLCC)
C35	100n	1206	(Generic X7R MLCC)
C36	100n	1206	(Generic X7R MLCC)
C37	100n	1206	(Generic X7R MLCC)
C38	100n	1206	(Generic X7R MLCC)
C39	100n	1206	(Generic X7R MLCC)
C40	100n	1206	(Generic X7R MLCC)
C41	100n	1206	(Generic X7R MLCC)
C42	100n	1206	(Generic X7R MLCC)
C43	100n	1206	(Generic X7R MLCC)
C44	100n	1206	(Generic X7R MLCC)
C45	100n	1206	(Generic X7R MLCC)
C46	100n	1206	(Generic X7R MLCC)
C47	100n	1206	(Generic X7R MLCC)
C48	100n	1206	(Generic X7R MLCC)
C49	100n	1206	(Generic X7R MLCC)
C50	100n	1206	(Generic X7R MLCC)
C51	100n	1206	(Generic X7R MLCC)
C52	100n	1206	(Generic X7R MLCC)
C53	100n	1206	(Generic X7R MLCC)
C54	100n	1206	(Generic X7R MLCC)
C55	100n	1206	(Generic X7R MLCC)
C56	100n	1206	(Generic X7R MLCC)
C57	100n	1206	(Generic X7R MLCC)
C58	100n	1206	(Generic X7R MLCC)
C59	100n	1206	(Generic X7R MLCC)
C60	100n	1206	(Generic X7R MLCC)
C61	100n	1206	(Generic X7R MLCC)
C62	100n	1206	(Generic X7R MLCC)
C63	100n	1206	(Generic X7R MLCC)
C64	100n	1206	(Generic X7R MLCC)
C65	100n	1206	(Generic X7R MLCC)
C66	100n	1206	(Generic X7R MLCC)
C67	100n	1206	(Generic X7R MLCC)
C68	100n	1206	(Generic X7R MLCC)
C69	10u	SMCB	(Generic Tantalium)
C70	10u	SMCB	(Generic Tantalium)
C71	10u	SMCB	(Generic Tantalium)
C72	10u	SMCB	(Generic Tantalium)
C73	33u	SMCD	(Generic Tantalium)

C74	33u	SMCD	(Generic Tantalium)
C75	40p	Green	(Philips foil trimmer, green)
C76	40p	Green	(Philips foil trimmer, green)
C77	40p	Green	(Philips foil trimmer, green)
C78	40p	Green	(Philips foil trimmer, green)
C79	40p	Green	(Philips foil trimmer, green)
C80	40p	Green	(Philips foil trimmer, green)
C81	40p	Green	(Philips foil trimmer, green)
C82	40p	Green	(Philips foil trimmer, green)
C83	40p	Green	(Philips foil trimmer, green)

-Ferrite Beads-----

FB1	BN73-2402	2 turns	(2 turns 0.8mm enameled copper)
FB2	FB43	6 turns	(6 turns 0.3mm enameled copper)
FB3	FB43	6 turns	(6 turns 0.3mm enameled copper)
FB4	FB43	6 turns	(6 turns 0.3mm enameled copper)
FB5	FB43	6 turns	(6 turns 0.3mm enameled copper)

-Transformers-----

T1	BN61-2402	1:4:1 turns	(1 turns 0.8mm, 5 turns 0.3mm on BN61-2402)
T2	BN43-2402	4 turns	(4 bifilar turns on BN43-2402)

-Filters-----

FL1	9MHz	INRAD-FILTER	(INRAD 9MHz, Z=500ohm Quartz Filter)
FL2	9MHz	INRAD-FILTER	(INRAD 9MHz, Z=500ohm Quartz Filter)
FL3	9MHz	INRAD-FILTER	(INRAD 9MHz, Z=500ohm Quartz Filter)
FL4	9MHz	INRAD-FILTER	(KVG 9MHz, Z=500ohm Quartz Filter)
FL5	9MHz	KVG-FILTER	(KVG 9MHz, Z=500ohm Quartz Filter)
FL6	9MHz	KVG-FILTER	(KVG 9MHz, Z=500ohm Quartz Filter)
FL7	9MHz	KVG-FILTER	(KVG 9MHz, Z=500ohm Quartz Filter)

-Integrated Circuits-----

IC1	FSA3157P6X	SC70-6	(Fairchild Semiconductor, SPDT bus-switch)
IC2	FSA3157P6X	SC70-6	(Fairchild Semiconductor, SPDT bus-switch)
IC3	FSA3157P6X	SC70-6	(Fairchild Semiconductor, SPDT bus-switch)
IC4	FSA3157P6X	SC70-6	(Fairchild Semiconductor, SPDT bus-switch)
IC5	FSA3157P6X	SC70-6	(Fairchild Semiconductor, SPDT bus-switch)
IC6	FSA3157P6X	SC70-6	(Fairchild Semiconductor, SPDT bus-switch)
IC7	FSA3157P6X	SC70-6	(Fairchild Semiconductor, SPDT bus-switch)
IC8	FSA3157P6X	SC70-6	(Fairchild Semiconductor, SPDT bus-switch)
IC9	PCF8574AT	SOIC-16W	(NXP Semiconductors, I2C 8-bit IO-expander)
IC10	LM2940IMP-12	SOT223-4	(National Semiconductor, 12V LDO regulator)
IC11	LM317L	SOIC-08	(National Semiconductor regulator)

-Diodes-----

D1	MMSD4148	SOD123	(Generic silicium 1N4148 alike)
D2	MMSD4148	SOD123	(Generic silicium 1N4148 alike)
D3	MMSD4148	SOD123	(Generic silicium 1N4148 alike)

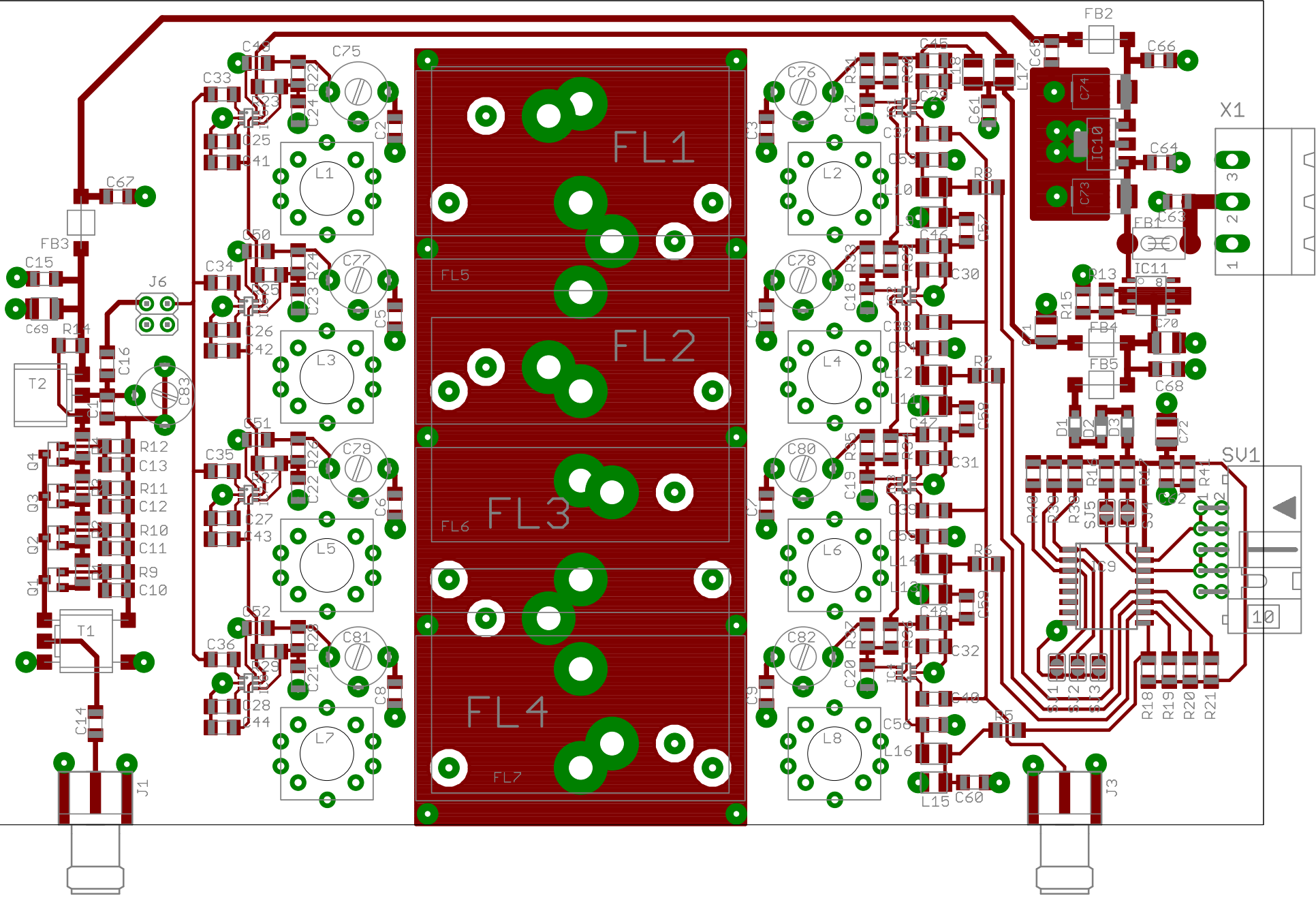
-Transistors-----

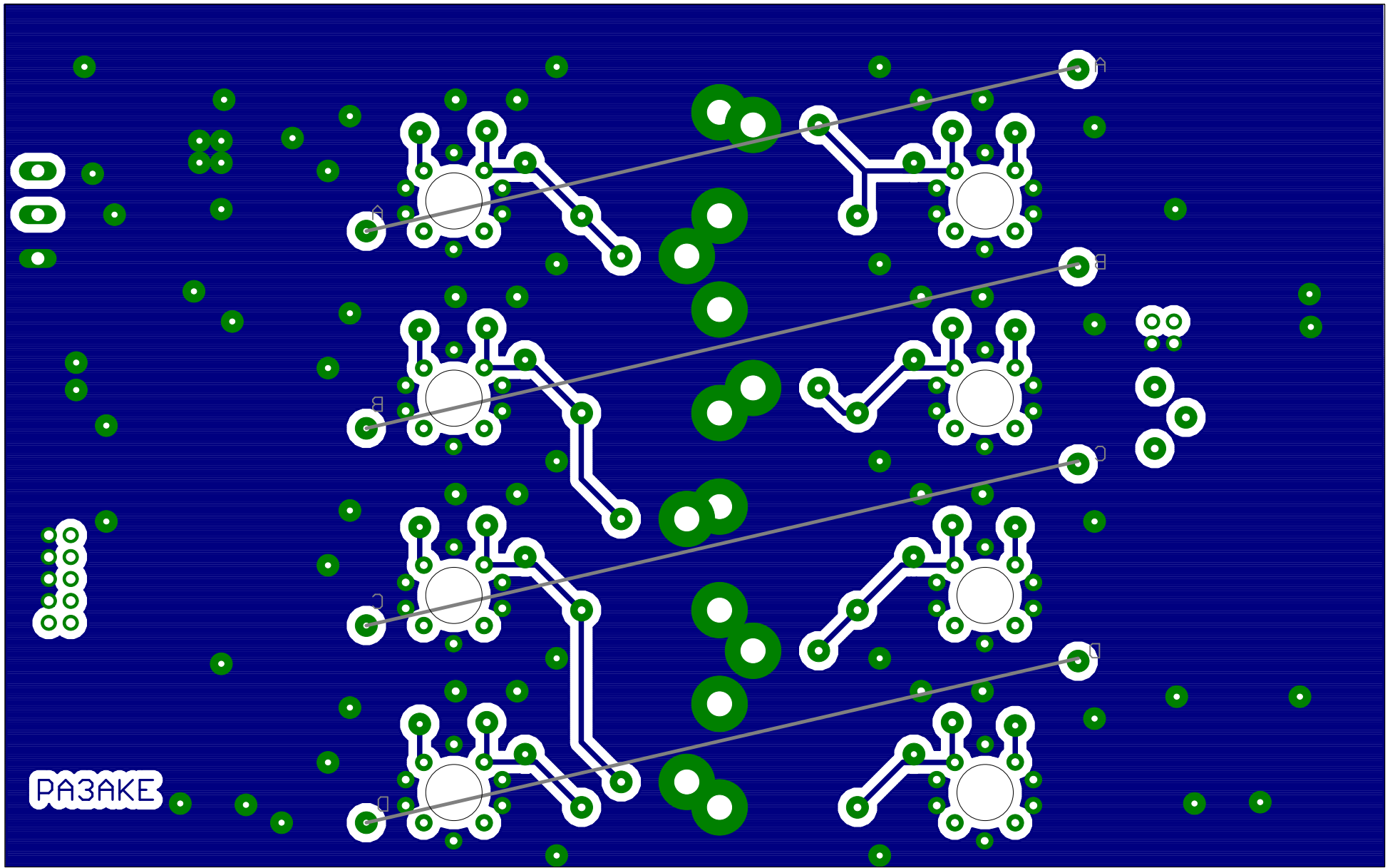
Q1	MMBFJ310	SOT23	(OnSemi JFET)
Q2	MMBFJ310	SOT23	(OnSemi JFET)
Q3	MMBFJ310	SOT23	(OnSemi JFET)
Q4	MMBFJ310	SOT23	(OnSemi JFET)

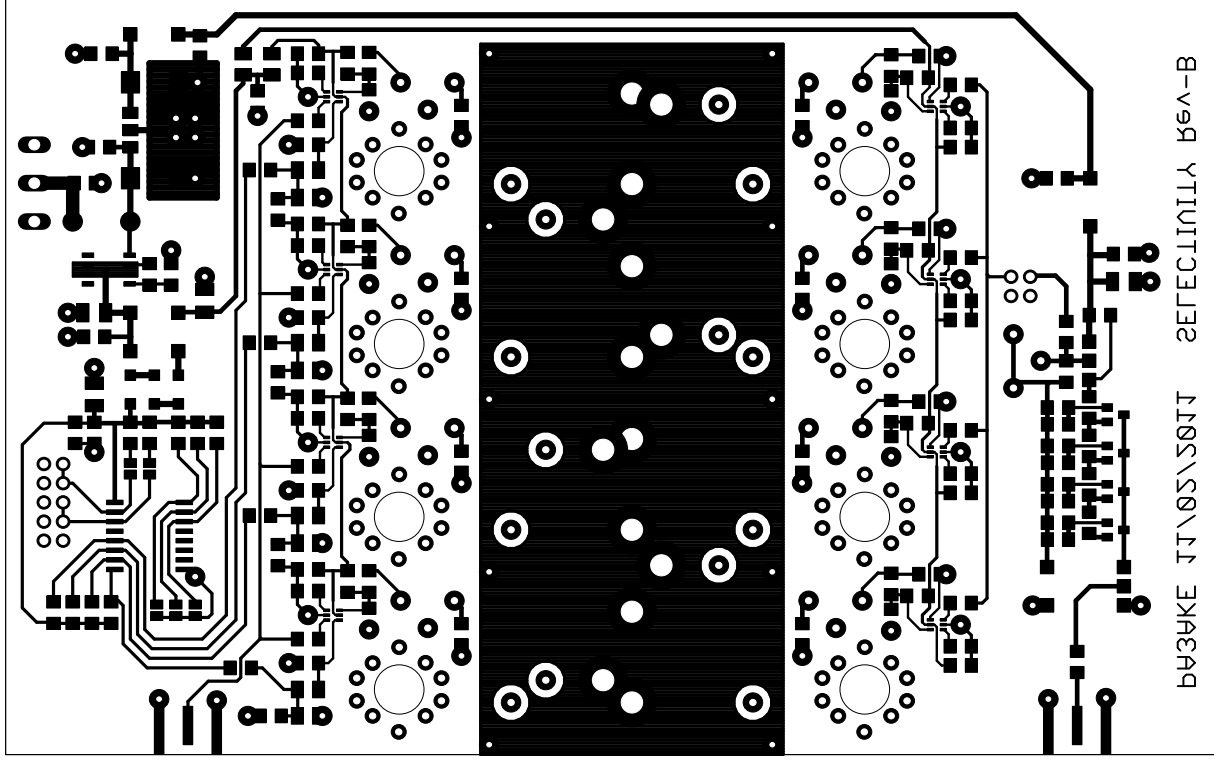
-Connectors-----

J1	SMA-IN	SMA	(Card edge SMA female connector)
J3	SMA-OUT	SMA	(Card edge SMA female connector)
J6	pin-header	2X02	(2x4 pin header)
SV1	I2C-bus	ML10L	(10 pin male flatcable connector)
X1	MSTBA	MSTBA 2.5/3-G-5.08	(conn header rt ang 3pos 5.08mm, PhoenixContact 1757255)
X1	MSTBA	MSTB 2.5/3-ST-5.08	(conn term block plug 3pos 5.08mm, PhoenixContact 1757022)

PA3AKE 11/02/2011 SELECTIVITY Rev-B







бУЗУКЕ ТТ\05\50ТТ ЗЕГЕСЛИИИЯ К6Л-В

