

Author: PA3AKE		Audio Board	
TITLE: AudioBoard			
Document Number:			REV: B
Date: 12-2-2011 14:15:30			Sheet: 1/1

Audio Board Rev-B Partlist

Part	Value	Package	Description
-----Resistors-----			
R1	0	1206	(Generic Thick Film resistor)
R2	200	1206	(Generic Thick Film resistor)
R3	200	1206	(Generic Thick Film resistor)
R4	300	1206	(Generic Thick Film resistor)
R5	1K	1206	(Generic Thick Film resistor)
R6	1K	1206	(Generic Thick Film resistor)
R7	1K	1206	(Generic Thick Film resistor)
R8	1K	1206	(Generic Thick Film resistor)
R9	1K8	1206	(Generic Thick Film resistor)
R10	2K2	1206	(Generic Thick Film resistor)
R11	2K2	1206	(Generic Thick Film resistor)
R12	10K	1206	(Generic Thick Film resistor)
R13	10K	1206	(Generic Thick Film resistor)
R14	10K	1206	(Generic Thick Film resistor)
R15	10K	1206	(Generic Thick Film resistor)
R16	10K	1206	(Generic Thick Film resistor)
R17	10K	1206	(Generic Thick Film resistor)
R18	15K 1%	1206	(Generic Thick Film resistor)
R19	15K 1%	1206	(Generic Thick Film resistor)
R20	15K 1%	1206	(Generic Thick Film resistor)
R21	15K 1%	1206	(Generic Thick Film resistor)
R22	15K 1%	1206	(Generic Thick Film resistor)
R23	15K 1%	1206	(Generic Thick Film resistor)
R24	100K	1206	(Generic Thick Film resistor)
R25	100K	1206	(Generic Thick Film resistor)
R26	150K 1%	1206	(Generic Thick Film resistor)
R27	150K 1%	1206	(Generic Thick Film resistor)
-----Capacitors-----			
C1	10n	1206	(Generic X7R MLCC)
C2	10n	1206	(Generic X7R MLCC)
C3	10n	1206	(Generic X7R MLCC)
C4	10n	1206	(Generic X7R MLCC)
C5	10n	1206	(Generic X7R MLCC)
C6	10n	1206	(Generic X7R MLCC)
C7	10n	1206	(Generic X7R MLCC)
C8	10n	1206	(Generic X7R MLCC)
C9	100n	1206	(Generic X7R MLCC)
C10	100n	1206	(Generic X7R MLCC)
C11	100n	1206	(Generic X7R MLCC)
C12	100n	1206	(Generic X7R MLCC)

C13	100n	1206	(Generic X7R MLCC)
C14	100n	1206	(Generic X7R MLCC)
C15	100n	1206	(Generic X7R MLCC)
C16	100n	1206	(Generic X7R MLCC)
C17	100n	1206	(Generic X7R MLCC)
C18	100n	1206	(Generic X7R MLCC)
C19	220n	1206	(Generic X7R MLCC)
C20	220n	1206	(Generic X7R MLCC)
C21	220n	1206	(Generic X7R MLCC)
C22	220n	1206	(Generic X7R MLCC)
C23	220n	1206	(Generic X7R MLCC)
C24	220n	1206	(Generic X7R MLCC)
C25	220n	1206	(Generic X7R MLCC)
C26	220n	1206	(Generic X7R MLCC)
C27	220n	1206	(Generic X7R MLCC)
C28	220n	1206	(Generic X7R MLCC)
C29	220n	1206	(Generic X7R MLCC)
C30	220n	1206	(Generic X7R MLCC)
C31	220n	1206	(Generic X7R MLCC)
C32	220n	1206	(Generic X7R MLCC)
C33	1u	1206	(Generic X7R MLCC)
C34	1u	1206	(Generic X7R MLCC)
C35	1u	1206	(Generic X7R MLCC)
C36	1u	1206	(Generic X7R MLCC)
C37	10u	SMCB	(Generic Tantalium)
C38	10u	SMCB	(Generic Tantalium)
C39	10u	SMCB	(Generic Tantalium)
C40	10u	SMCB	(Generic Tantalium)
C41	10u	SMCB	(Generic Tantalium)
C42	10u	SMCB	(Generic Tantalium)
C43	10u	SMCB	(Generic Tantalium)
C44	220u 16V	E15-6	(Generic Electrolytic, axial 15mm x 8mm)
C45	220u 16V	E15-6	(Generic Electrolytic, axial 15mm x 8mm)
C46	220u 16V	E15-6	(Generic Electrolytic, axial 15mm x 8mm)
C47	220u 16V	E15-6	(Generic Electrolytic, axial 15mm x 8mm)
C48	2200u 25V	E35-12	(Generic Electrolytic, axial 35mm x 15mm)

-Ferrite Beads-----

FB1	Bead core	1806	(Panasonic-ECG EXC-ML45A910H, 91ohm @ 100MHz)
FB2	Bead core	1806	(Panasonic-ECG EXC-ML45A910H, 91ohm @ 100MHz)
FB3	Bead core	1806	(Panasonic-ECG EXC-ML45A910H, 91ohm @ 100MHz)
FB4	BN73-2402	2 turns	(2 turns 0.8mm enameled copper)
FB5	BN73-2402	4.5 turns	(4.5 turns of 0.4mm enameled copper)
FB6	BN73-2402	4.5 turns	(4.5 turns of 0.4mm enameled copper)
FB7	BN73-2402	4.5 turns	(4.5 turns of 0.4mm enameled copper)
FB8	BN73-2402	4.5 turns	(4.5 turns of 0.4mm enameled copper)
FB9	BN73-2402	4.5 turns	(4.5 turns bifilar or twisted 0.35mm enameled copper)

FB10 BN73-2402 4.5 turns (4.5 turns bifilar or twisted 0.35mm enameled copper)

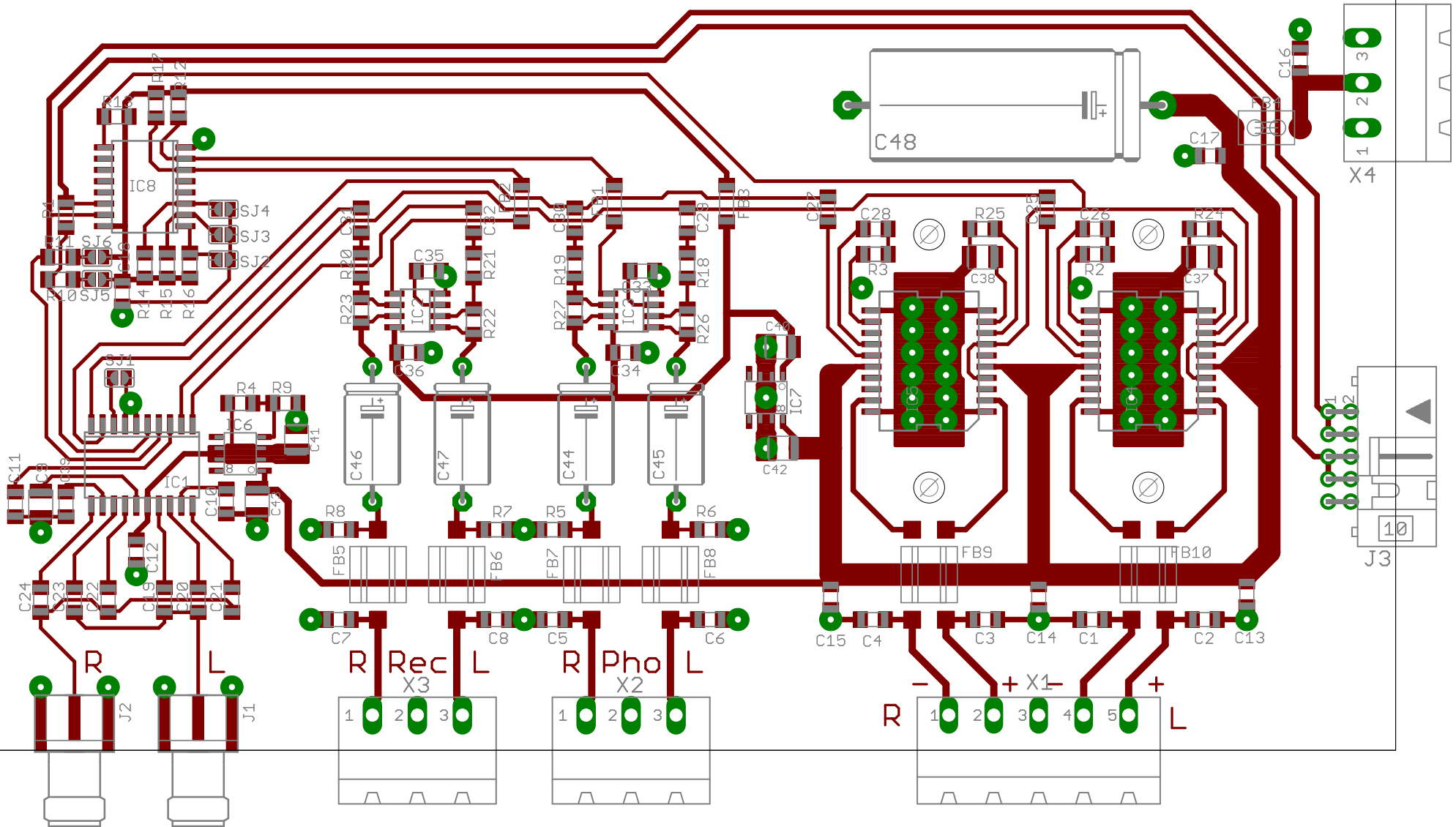
-Integrated Circuits-----

IC1	TDA7309	SOIC-20	(STMicroelectronics, I2C audio processor)
IC2	TS486ID	SOIC-08	(STMicroelectronics, 108mW stereo headphone amp)
IC3	TS486ID	SOIC-08	(STMicroelectronics, 108mW stereo headphone amp)
IC4	TDA7391PD	POWER-SO20	(STMicroelectronics, 40W mono audio power amp)
IC5	TDA7391PD	POWER-SO20	(STMicroelectronics, 40W mono audio power amp)
IC6	LM317L	SOIC-08	(National Semiconductor regulator)
IC7	UA78L05CD	SOIC-8	(Texas Instruments, 5V regulator)
IC8	PCF8574AT	SOIC-16W	(NXP Semiconductors, I2C 8-bit IO-expander)

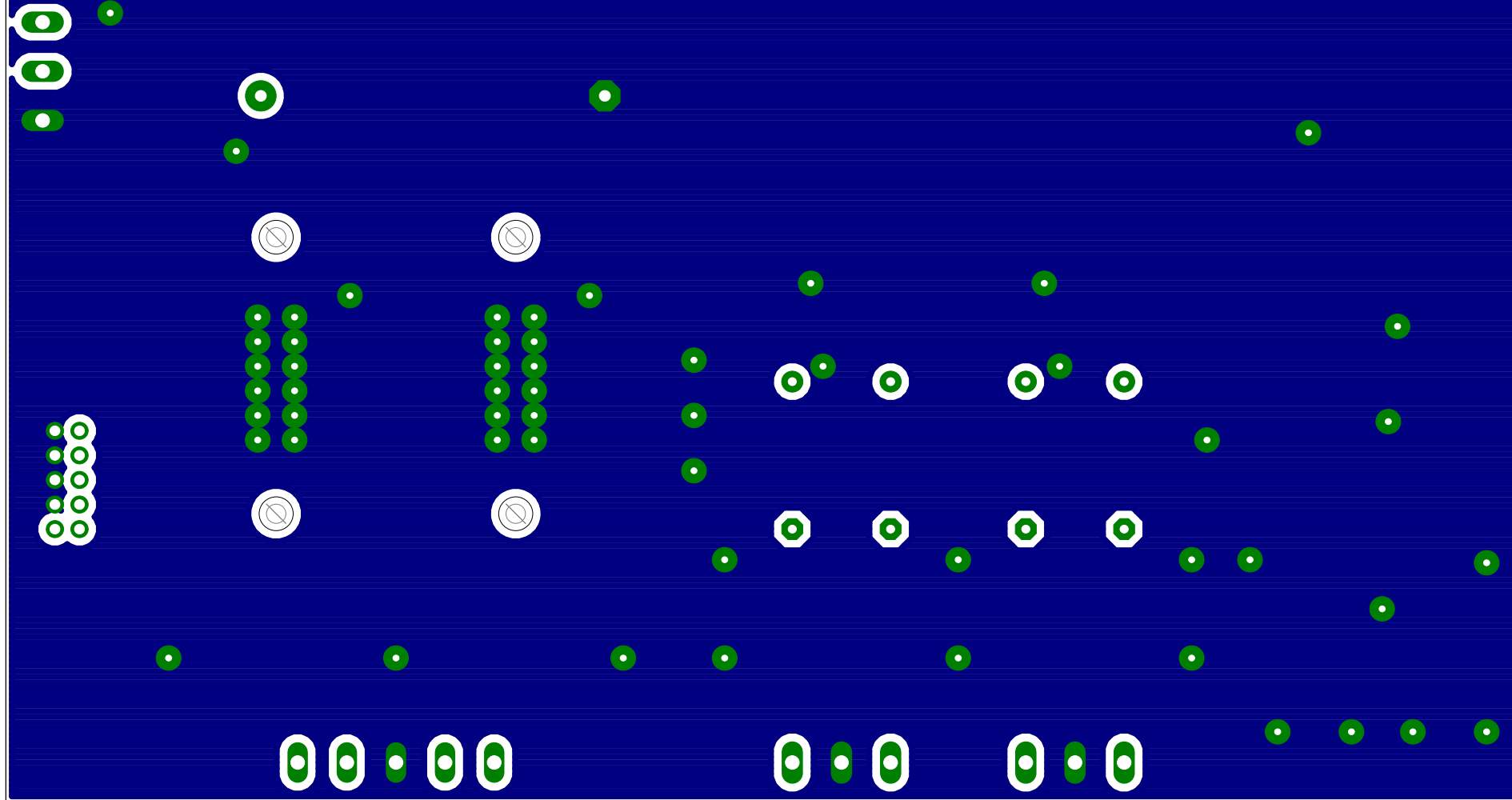
-Connectors-----

J1	IN-L	SMA	(Card edge SMA female connector)
J2	IN-R	SMA	(Card edge SMA female connector)
J3	I2C-Header	ML10L	(10 pin male flatcable connector)
X1	SPEAKERS	MSTBA 2.5/5-G-5.08	(conn header rt ang 5pos 5.08mm, PhoenixContact 1757271)
X1	SPEAKERS	MSTB 2.5/5-ST-5.08	(conn term block plug 5pos 5.08mm, PhoenixContact 1757048)
X2	PHONE-OUT	MSTBA 2.5/3-G-5.08	(conn header rt ang 3pos 5.08mm, PhoenixContact 1757255)
X2	PHONE-OUT	MSTB 2.5/3-ST-5.08	(conn term block plug 3pos 5.08mm, PhoenixContact 1757022)
X3	REC-OUT	MSTBA 2.5/3-G-5.08	(conn header rt ang 3pos 5.08mm, PhoenixContact 1757255)
X3	REC-OUT	MSTB 2.5/3-ST-5.08	(conn term block plug 3pos 5.08mm, PhoenixContact 1757022)
X4	VDC	MSTBA 2.5/3-G-5.08	(conn header rt ang 3pos 5.08mm, PhoenixContact 1757255)
X4	VDC	MSTB 2.5/3-ST-5.08	(conn term block plug 3pos 5.08mm, PhoenixContact 1757022)

PA3AKE 11/02/2011
AUDIO Rev-B



PA3AKE



AUDIO Rev-B
PA3AKE 11\05\2011

