

Alouette III of World Air Forces: PART 2 (designed for 1/72 scale)

Belgium, Bolivia, Bophuthatswana, Burkina-Faso, Cameroon, Chile, Congo-Brazzaville

The French company Sud Est/ Sud Aviation developed in the 1950s a number of helicopters such as the Alouette III. First flight was in February 1959. The Alouette III type designation was SE3160 and later at Aerospatiale SA316 with Artouste engine or SA319 with the Astazou engine. The Alouette had several roles typical of light helicopters and was very reliable. The last Alouette III was delivered in 1985 from Aerospatiale. But the Alouette III remained to be built in license at Hindustan Aeronautics (HAL) in India as the "Chetak". Over 2,000 Alouettes were manufactured and it was used by over 50 World Air Forces and many are still flying the Alouette III today.

CAMOUFLAGE AND SCHEMES

There is a large variety in Alouette III schemes as used by various World Air Forces.

See the particular suggestions of each scheme. My website AircraftinPlastic.com can help building your model. On the website also books and internet sites are listed and are some manufacturer downloads available.

Often configurations varied as Alouettes delivered to an Air Force could be fitted with floatation gear and a hoist. Different antennas and pilot aids could be fitted like rear view mirrors. So it is strongly recommended to study photos in books and internet to pick a particular Alouette though it maybe difficult to find a photo. The precise scheme colours used by a particular Air Force are often unknown.

On the decals sheet are as a few extra tail rotor warning and Alouette markings. Sometimes also some extra codes and numbers make it possible to make a slightly different Alouette model.

DECAL APPLICATION

The decal sheet has ONE continuous print film, so each decal needs to be cut out with fine scissors. No other prior decal preparation is needed. Each cut out decal can be applied as usual after soaking it a short while in water. Decals are EXTREMELY THIN, so slide off from the wet backing sheet on a horizontally held GLOSSY model surface. Do not use tweezers! They will fold doubled!

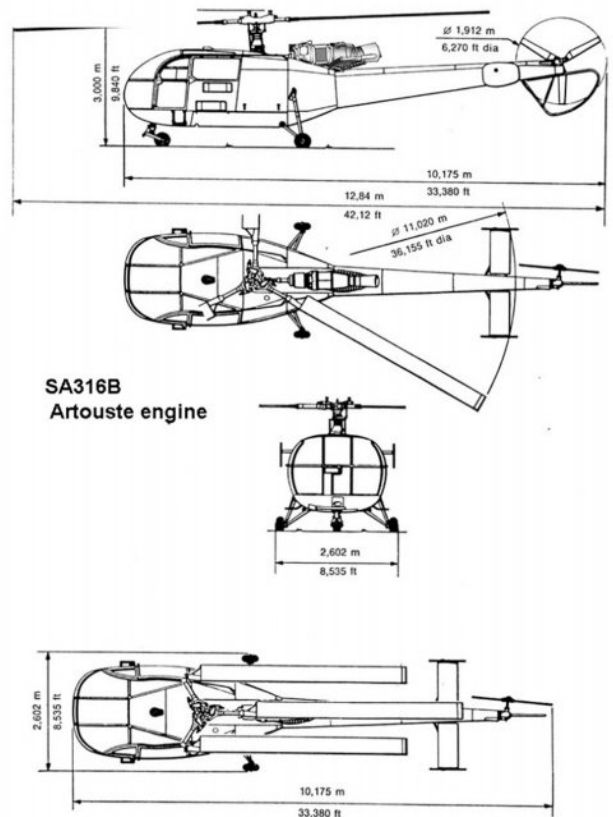
Note that a decal that contains a white section is often split in two parts. To apply the full decal marking, first set the white decal section at correct position and on top of that the coloured section. On the decals sheet you will often see an "arrow" to indicate this way of application (on white surfaces, the white section is optional).

After all decals have been applied, finish the model with your preferred final gloss, matt or semi-matt varnish coats. This will also protect all the decals.

MODEL KITS

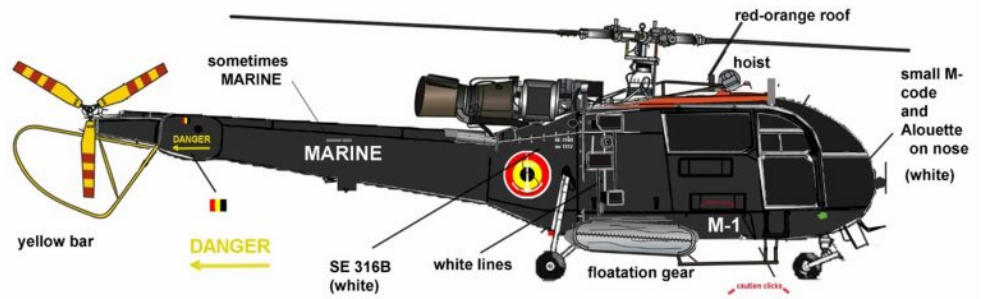
In 1/72 scale only **Heller of France** has an Alouette III kit that has appeared in various boxes with some changes in parts. In the kit are parts for the SA316 with Artouste engine or SA319 with the Astazou engine.

(Note: the same 1/72 kit was also released by **Kovozavody Prostejov**).



Belgium

Belgium operated 3 Alouette III SA316B helicopters (coded M-1/2/3) and they originally entered service with the Belgian Navy in April 1971. They were used to re-supply Belgian Navy ships at sea, served on board in counter-piracy operations off the Horn of Africa and drug interdiction operations in the Caribbean. Operations of the Alouette IIIs were transferred to the Belgian Air Force in 1994. Now operated by the no.40 Squadron at Koksijde, but continuing to deploy aboard Belgian Navy ships. The last Belgian Alouette was decommissioned June 2021. The Alouette III was almost always fitted with hoist and than the port lower cabin panel has been removed (so a gap is seen). Floatation gear was also fitted.



The colour scheme is probably overall dark insignia blue (approx. FS15054) with a bright dayglow red-orange cabin roof. The tail rotor colours are standard yellow with red stripes. The main rotor tips are yellow (or red).

Shown is SA316B "white" coded M-1 c/n 1812 (M-3 c/n 181 is also on the sheet).

The very small naval style roundels on the sheet are in 2 parts: the basic roundel and the white circular roundel detail. Apply first the basic roundel and on top of that the white circular detail. This ensures that you can align these perfectly.

Below the cabin sliding doors are codes and the very small M-.. code on the mid nose panel along with "white" Alouette logo. The yellow danger markings are at each tail fin plate. There are a few blade antennas situated at the nose and add a few small fairings below the tail boom.

On the tail boom the white MARINE or FORCE NAVALE BELGE titles were not always applied. A small white Alouette III text was sometimes seen aft of the cabin sliding doors. The fuselage vertical step lines are in white, cut the white decals to correct size.

Bophuthatswana

Bophuthatswana was the second Bantustan to be declared an independent state in 1977 and its territory constituted a scattered patchwork of enclaves spread across South Africa. A small Bophuthatswana Defence Force was established and in March 1981 a first Alouette III helicopter arrived and later 2 more.



The Alouette III SA316B of Bophuthatswana coded T240 finish is probably similar to French Alouettes: overall ALAT olive green (approx. FS34091). It was also seen flying with large air intake particle filters installed. The tail rotor colours are standard yellow with red stripes and a yellow tail bar. The main rotor tips are bright red. Below the fuselage often a lifting frame to carry external loads is seen installed. No tail rotor warnings were seen (but provided on the sheet).

See old modelling report at website page:

<https://aircraftinplastic.com/models/alouette-3/alouette-5.html#bophu>

Bolivia

A pair of Alouette III SE3160 were flown by the FUERZA AÉREA BOLIVIANA.

This SE3160 c/n 1349 coded FAB-747 flown from Cochabamba has the basic Alouette configuration and is overall gloss white with blue trim. The cheat lines on the tail boom run also below the horizontal tail stabilizer.



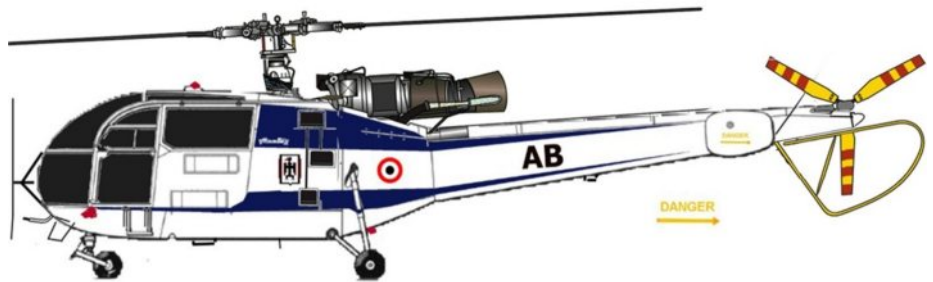
The smart blue trim lines are provided as decals and need to be applied on the white underlying surfaces. It is recommended to measure the exact lengths needed on your model, particularly to curve them around the nose.

The tail rotor colours are standard yellow with red stripes and a yellow tail bar. The small red PELIGRO warning marking is at the end of the tail boom. The main rotor tips are bright red. On the lower fuselage belly no installations nor markings are seen. The FAB Alouette seems to be fitted with a small air filter, this has to be made from scrap.

Burkina-Faso (Upper Volta)

Some 5 Alouettes were used probably from 1975 by Burkina-Faso.

The exact c/n of this Alouette III coded "AB" is unknown. It has the basic Alouette configuration and is overall gloss white with dark blue trim. The curved blue areas need to be masked and painted. (the blue is approx. FS15102).



The tail rotor colours are standard yellow with red stripes and a yellow tail bar. The main rotor tips are probable bright red. Add a blade antenna on port side below the nose and a pair of wire antennas on the nose. Add a single antenna wire at the port tail end. (It is unknown if a roundel was set aft of the nose gear on the belly).

Cameroon

Probably being the only Cameroon Alouette III, it had a basic standard configuration. SE3160 had c/n 1635 with code TJ-AAJ being used from 1969.

It had overall a peculiar light blue finish (approx. FS15488) with some faded areas being even lighter blue than others on tail boom and cabin sliding doors. The gear legs and wheel hubs also are light blue.



The tail rotor colours are standard yellow with red stripes and a yellow tail bar. The main rotor tips are probable bright red. Note the small badges amidst the fuselage and yellow DANGER warnings on the tail fin plates. (It is unknown if a roundel was set aft of the nose gear on the belly).

Congo-Brazzaville

The Congo-Brazzaville armed forces used an unknown number of Alouettes.

The details of this Alouette III SA316B are unknown but it has a basic standard configuration. The colour scheme is probably similar to French Alouettes: overall ALAT olive green (approx. FS34091).



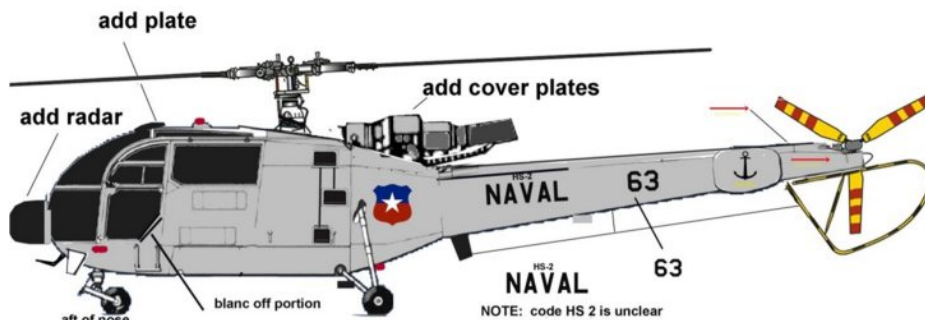
The tail rotor colours are standard yellow with red stripes and a yellow tail bar. The main rotor tips are bright red. A sort of orange painted cover was seen at the exhaust.

Chile

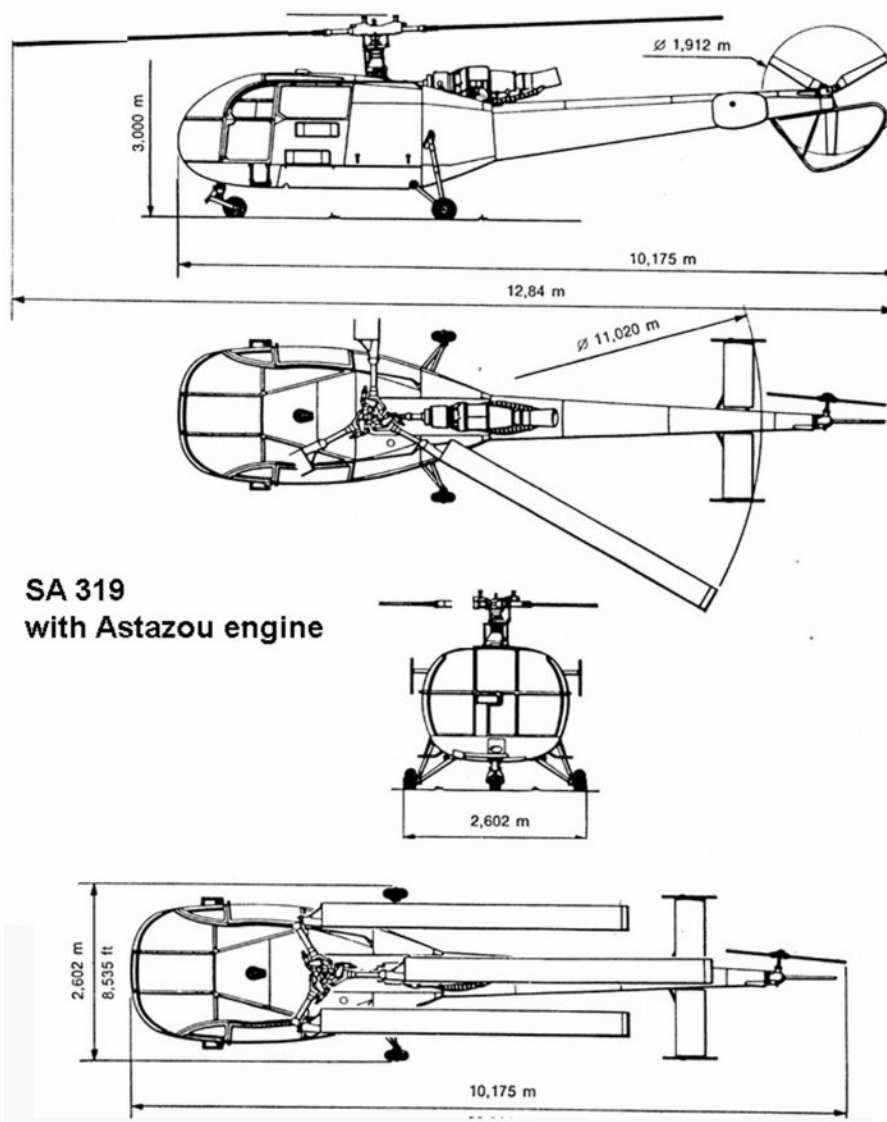
Some 10 SA319B Alouettes fitted with the Astazou engine were used by the CHILE AVIACION NAVAL, probably from 1970s amidst tensions with neighbour Argentina for the control of the strategic shipping Beagle channel at Cape Horn.

This SA319B (with Astazou engine) c/n 2353 coded 63 was fitted with a large search radar on the nose and plate antenna on top. The finish appears to be an overall medium gloss grey (approx. FS16492). A small portion on the lower cockpit side window was blanked off.

The tail rotor colours are standard yellow with red stripes but the tail bar is black-yellow striped. A large white blade antenna was fitted below the port fuselage at the nose. It also had a single antenna wire below the tail boom with large black blade antenna. Add some small stubs and fairings below tail boom and fuselage. On the Astazou engine the covers were painted grey. Note the anchor markings at the tail fin plates and the red arrows at the tail boom end.



Drawing of the SA319B with the Astazou engine. (The parts are in the 1/72 Heller kit and KP kit).



**SA 319
with Astazou engine**

Please visit website: www.aircraftinplastic.com



© copyright 2023